



16 DIC. 2005

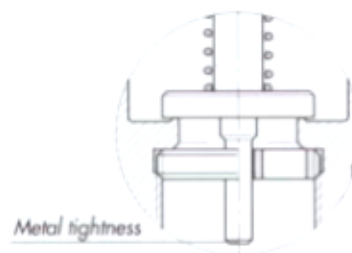
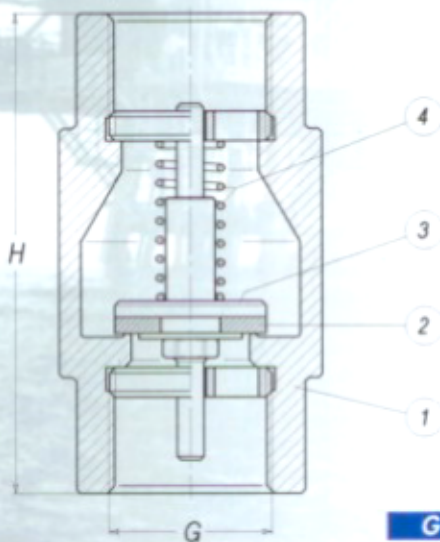
**Art. 140**

CHECK VALVE - PN 16 - PN 64



SIZE	1/4"	3/8"	1/2"	3/4"	1"	1 1/4"	1 1/2"	2"	2 1/2"	3"
Available from DN	8	10	15	20	25	32	40	50	65	80

Pos	Part Name	MATERIAL SELECTION
1	Body/Structure	ASTM A 182 - gr F316 - ASTM A 182 gr. F316L
2	Packings	PTFE • Graphite • PEEK
3	Plug	ASTM A 182 - gr F316 - ASTM A 182 gr. F316L
4	Spring	AISI 302



• Different ranges operating Temperature

G	1/4"	3/8"	1/2"	3/4"	1"	1 1/4"	1 1/2"	2"	2 1/2"	3"
DN	8	10	15	20	25	32	40	50	65	80
H	60	65	70	80	90	110	115	130	145	160

G = NPT Thread

For further details see paragraph: **TECHNICAL INFORMATIONS**